



Data Sheet Dhb Ms

Nozzle Heaters with brass jacket Typ Dhb 20 Ms

Heating of nozzles on injection moulding and similar applications.

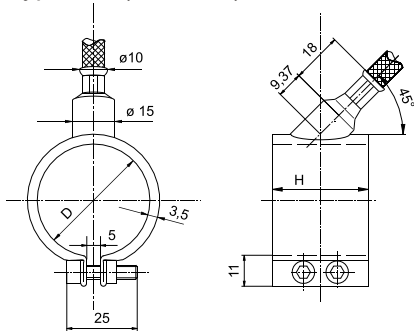
When limited space is required.

No ingress of plastic.

Particular stable terminal.

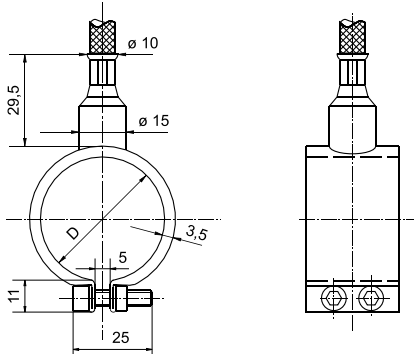
High durability.

Typ- A45 (axial 45°)

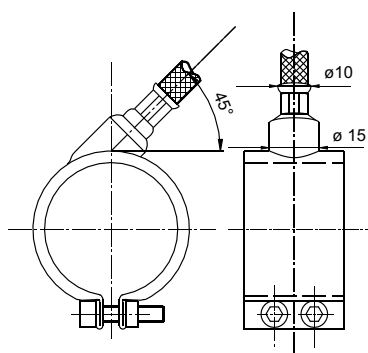


connecting bracket 0° possible

Typ- R (radial)



Typ- T45 (tangential 45°)



connecting bracket 0° possible

Technical Data

voltage	: 230 V
wattage	: to 3,5 W/cm ²
temp. max..	: 300°C
min.	: 28 mm - 110 mm
height	: 20 mm - 80 mm
connectionpos.	: in center, against the bracing
connecting bracket	: 45° axial
connecting cable	: wire mesh
cable length	: 300 mm

options

- drill holes
- hole with holder for Thermocouple
- hole with nipple for Thermocouple
- with integr. Thermocouple
- with metalsleeving as bend protection 100 mm long
- with waterproof stainless steel corrugated tube
- with silikonkable
- with plug
- reduced socket
- two-parts design
- bend protection by metalsleeving 100 mm

Subject to modifications!

05/02

Standard sizes for Nozzle Heaters with brass jacket

Standard: voltage 230 VAC/ connecting bracket 45° axial / connecting cable wire mesh / cable length 300 mm

D/mm	H/mm	P/Watt	W/cm ²	D/mm	H/mm	P/Watt	W/cm ²
28	20	80	4,55	58 u. 60	20	163	4,74
30 u. 32	20	80	4,24	58 u. 60	25	170	3,37
30 u. 32*	25	90	3,82	58 u. 60*	30	180	3,29
30 u. 32*	30	100	3,54	58 u. 60	34	200	3,23
30 u. 32	34	110	3,43	58 u. 60*	40	250	3,43
30 u. 32	40	130	3,45	58 u. 60*	50	340	3,73
30 u. 32*	50	160	3,40	58 u. 60	60	380	3,48
30 u. 32	60	200	3,54	58 u. 60*	70	450	3,53
30 u. 32	70	320	4,85	58 u. 60	80	500	3,43
35 u. 37*	20	85	3,87	65	20	180	4,41
35 u. 37*	25	100	3,64	65	25	190	3,72
35 u. 37*	30	120	3,64	65	30	220	3,59
35 u. 37	40	150	3,41	65	34	250	3,60
35 u. 37	50	190	3,46	65	40	280	3,43
35 u. 37	60	230	3,49	65	50	340	3,33
35 u. 37	70	290	3,77	65	60	430	3,51
40 u. 42*	20	120	4,77	65	70	500	3,50
40 u. 42	25	130	4,14	70	20	200	4,55
40 u. 42*	30	140/120	3,71	70	25	200	3,64
40 u. 42	34	160	3,74	70	30	250	3,79
40 u. 42*	40	180	3,58	70	34	300	4,01
40 u. 42	50	220	3,50	70	40	340	3,87
40 u. 42*	60	250	3,32	70	50	400	3,64
40 u. 42	70	300	3,41	70	60	450	3,41
45	20	130	4,60	70	70	500	3,25
45	25	140	3,96	75	25	230	3,90
45	30	150	3,54	75	30	250	3,54
45	34	160	3,33	75*	34	300	3,74
45	40	190	3,36	75	40	350	3,71
45	50	250	3,54	75	50	400	3,40
45	60	300	3,54	75	60	500	3,54
45	70	350	3,54	75	70	550	3,33
48 u. 50	20	140	4,64	80	25	240	3,82
48 u. 50	25	150	3,98	80	30	300	3,98
48 u. 50	30	160	3,54	80	34	320	3,74
48 u. 50*	34	200	3,90	80	40	350	3,48
48 u. 50	40	200	3,32	80	50	400	3,18
48 u. 50	50	260	3,45	80	60	500	3,32
48 u. 50	60	320	3,54	80	70	600	3,41
48 u. 50	70	380	3,60	85 u. 90	25	230	3,45
55 u. 56	20	163	4,72	85 u. 90	30	300	3,74
55 u. 56	22	215	5,66	85 u. 90	34	320	3,52
55 u. 56	25	170	3,94	85 u. 90	40	350	3,28
55 u. 56	30	180	3,47	85 u. 90	50	500	3,74
55 u. 56	40	250	3,62	85 u. 90	60	550	3,43
55 u. 56	50	300	3,47	85 u. 90	70	600	3,21
55 u. 56	60	360	3,47				
55 u. 56	70	420	3,47				

Subject to modifications!

05/02



Data Sheet Dhb C

Nozzle Heaters with stainless steel jacket Typ Dhb C

Heating of nozzles on injection moulding and similar applications.

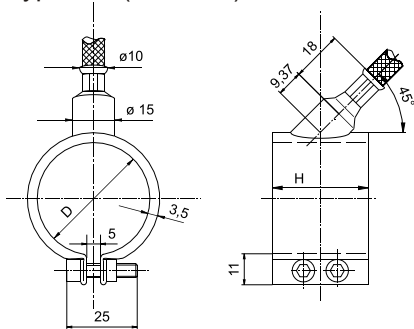
When limited space is required

No ingress of plastic.

Particular stable terminal.

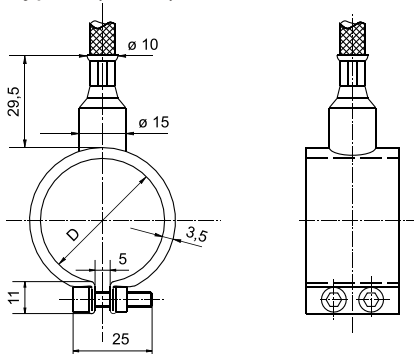
High durability.

Typ- A45 (axial 45°)

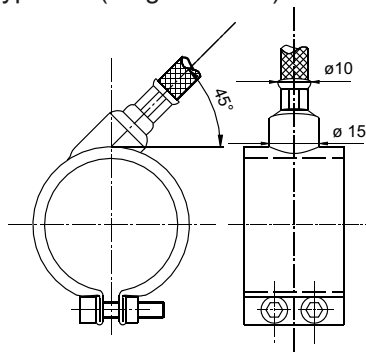


Kabelabgang to 0° möglich

Typ- R (radial)



Typ- T45 (tangential 45°)



Kabelabgang to 0° möglich

Technical Data

voltage	: 230 V
wattage	: to 7 W/cm ²
temp. max..	: 500°C
min.	: 28 mm - 110 mm
height	: 20 mm - 80 mm
connectionpos.	: in center, against the bracing
connecting bracket	: 45° axial
connecting cable	: wire mesh
cable length	: 300 mm

options

- drill holes
- hole with holder for Thermocouple
- hole with nipple for Thermocouple
- with integr. Thermocouple
- with metalsleeving as bend protection 100 mm long
- with waterproof stainless steel corrugated tube
- with silikonkable
- with plug
- reduced socket
- two-parts design

Subject to modifications!

05/02

Standard sizes for Nozzle heaters with stainless steel jacket

Standard: voltage 230 VAC/ connecting bracket 45° axial / connecting cable wire mesh / cable length 300 mm

D/mm	H/mm	P/Watt	W/cm ²	D/mm	H/mm	P/Watt	W/cm ²
25*	22	120	6,95	58 u. 60	16	200	6,86
28	22	130	6,72	58 u. 60*	22	275	6,86
30 u. 32*	16	100	6,63	58 u. 60*	30	300/430	5,49
30 u. 32*	22	140	6,75	58 u. 60*	34	350	5,65
30 u. 32*	30	180	6,37	58 u. 60*	38	430	6,21
30 u. 32*	30	200	7,08	58 u. 60*	48	500	5,72
30 u. 32*	34	200	6,24	65/67	16	220	6,73
30 u. 32*	38	220	6,15	65/67*	22	275	6,12
30 u. 32*	38	240	6,70	65/67	30	350	5,71
30 u. 32*	40	200	5,31	65/67	34	380	5,47
30 u. 32	48	300	6,63	65/67	38	450	5,80
35 u. 37*	16	110	6,25	65/67	48	550	5,61
35 u. 37*	22	160	6,61	70	16	230	6,54
35 u. 37*	30	230	6,97	70*	22	300	6,20
35 u. 37	32	230	6,54	70*	30	350	5,31
35 u. 37	34	230	6,15	70*	34	400	5,35
35 u. 37*	38	270	6,46	70*	38	450	5,38
35 u. 37	48	340	6,44	70	48	550	5,12
40 u. 42*	16	130	6,47	75	22	325	6,27
40 u. 42*	22	180	6,51	75	30	400	5,66
40 u. 42*	30	240	6,37	75	34	450	5,62
40 u. 42*	30	250	6,63	75	38	500	5,58
40 u. 42*	34	260	6,09	75	48	550	4,86
40 u. 42*	38	300	6,28	80	22	330	5,97
40 u. 42*	48	380	6,30	80	30	450	5,97
45*	16	140	6,19	80	34	430	5,03
45*	22	200	6,43	80	38	480	5,03
45*	30	260	6,13	80	48	550	4,56
45	34	280	5,83	90*	22	375	6,03
45*	38	325	6,10	90	30	500	5,89
45*	38	350	6,52	90	38	650	6,05
45*	48	400	5,89	90	45	750	5,89
48 u. 50	16	150	6,22	90	48	850	6,25
48 u. 50*	22	230	6,93	90	60	1000	5,89
48 u. 50*	30	270	5,97	95	16	250	5,24
48 u. 50*	34	310	6,05	100*	22	400	5,79
48 u. 50*	38	350	6,11	100	30	550	5,84
48 u. 50*	48	420	5,80	100	38	750	6,28
48 u. 50*	48	500	6,91	100	48	900	5,97
48 u. 50*	70	600	5,69	100	60	1200	6,37
48 u. 50*	70	640	6,07				
55 u. 56	16	160	5,79	with hole for sensor and connecting thread M8 x 1			
55 u. 56*	22	275	7,23	40	48	375	6,22
55 u. 56*	30	300	5,79				
55 u. 56	38	430	6,55				
55 u. 56	48	500	6,03				

Subject to modifications!

05/02

Data Sheet Dhb CK



Ceramic Nozzle Heaters with stainless steel jacket Typ Dhb CK

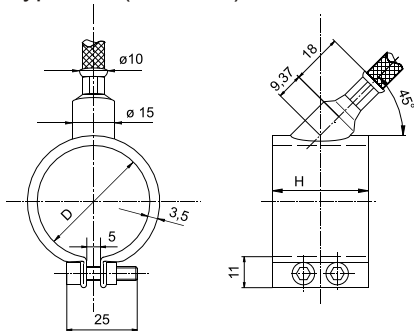
Heating of nozzles on injection moulding and similar applications.

When limited space is required.

No ingress of plastic.

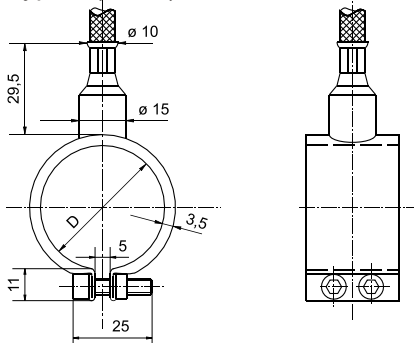
High durability.

Typ- A45 (axial 45°)

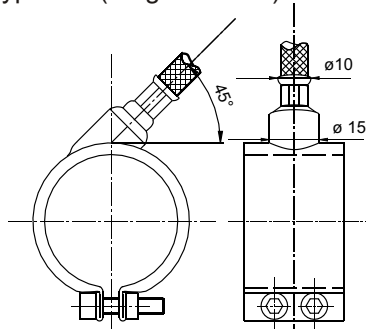


Kabelabgang to 0° möglich

Typ- R (radial)



Typ- T45 (tangential 45°)



Kabelabgang to 0° möglich

Technical Data

voltage	: 230 V
wattage	: to 9 W/cm ²
temp. max..	: 500°C
min.	: 28 mm - 110 mm
height	: 20 mm - 60 mm
connectionpos.	: in center, against the bracing
connecting bracket	: 45° axial
connecting cable	: wire mesh
cable length	: 300 mm

options

- with integr. Thermocouple
- with metalsleeving als bend protection 100 mm long
- with waterproof stainless steel corrugated tube
- with silikonkable
- with plug
- reduced socket

Subject to modifications!

05/02

Standard sizes für Nozzle Heaters Dhb CK with stainless steel jacket with ceramic insulation

Standard: voltage 230 VAC / cable connection 45° axial / connecting cable Metallgeflecht / cable length 300 mm

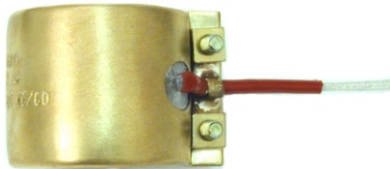
D/mm	H/mm	P/Watt	W/cm ²	D/mm	H/mm	P/Watt	W/cm ²
28	22	170	8,79	58 u. 60	16	260	8,92
30 u. 32	16	130	8,63	58 u. 60	22	360	8,99
30 u. 32	22	180	8,69	58 u. 60	30	490	8,97
30 u. 32	30	250	8,85	58 u. 60	34	550	8,88
30 u. 32	34	280	8,74	58 u. 60	38	620	8,96
30 u. 32	38	320	8,94	58 u. 60	48	780	8,92
30 u. 32	48	400	8,85	65/67	16	290	8,88
35 u. 37	16	150	8,53	65/67	22	400	8,91
35 u. 37	22	200	8,27	65/67	30	550	8,98
35 u. 37	30	290	8,80	65/67	34	620	8,93
35 u. 37	32	300	8,53	65/67	38	690	8,90
35 u. 37	34	320	8,56	65/67	48	880	8,98
35 u. 37	38	370	8,86	70	16	310	8,81
35 u. 37	48	470	8,91	70	22	430	8,89
40 u. 42	16	180	8,96	70	30	590	8,95
40 u. 42	22	250	9,05	70	34	670	8,97
40 u. 42	30	330	8,76	70	38	750	8,98
40 u. 42	34	380	8,90	70	48	940	8,91
40 u. 42	38	420	8,80	75	22	460	8,88
40 u. 42	48	540	8,96	75	30	630	8,92
45	16	200	8,85	75	34	720	8,99
45	22	270	8,69	75	38	800	8,94
45	30	380	8,96	75	48	1000	8,85
45	34	430	8,95	80	22	490	8,87
45	38	480	8,94	80	30	670	8,89
45	48	610	8,99	80	34	760	8,90
48 u. 50	16	210	8,71	80	38	860	9,01
48 u. 50	22	290	8,75	80	48	1000	8,29
48 u. 50	30	400	8,85	90	30	760	8,96
48 u. 50	34	460	8,98	90	38	960	8,94
48 u. 50	38	500	8,70	90	45	1100	8,65
48 u. 50	38	600	10,05	90	48	1200	8,85
48 u. 50	48	650	8,98	90	60	1500	8,85
48 u. 50	70	940	8,91	95	16	430	9,01
55 u. 56	16	240	9,95	100	22	620	8,98
55 u. 56	22	340	10,25	100	30	840	8,92
55 u. 56	30	460	10,17	100	38	1000	8,38
55 u. 56	38	590	10,30	100	48	1300	8,63
55 u. 56	48	740	10,23	100	60	1600	8,49

Subject to modifications!

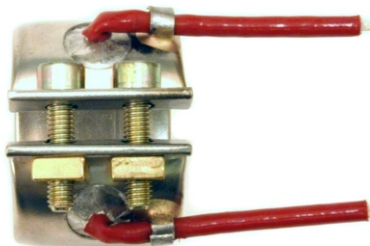
05/02



Typ A (radial)



Typ B (axial)



Data Sheet Dhb K

Nozzle Heaters Typ Dhb K

Heating of nozzles on injection moulding and similar applications.

Particularly in cases where only limited space is available, e.g. for hot runner systems.

High durability

Technical Data

voltage	: 230 V
wattage	: to 3,5 W/cm ²
temp. max.	: 300°C
min.	: 28 mm - 110 mm
height	: 20 mm - 80 mm
connection pos.	: in center, at the bracing
connecting bracket	: A = radial B = axial
connecting cable	: GLS-Litze
cable length	: 300 mm

options

- drill holes
- hole with holder for Thermocouple
- hole with nipple for Thermocouple
- with integrated Thermocouple

Subject to modifications!

05/02



Data Sheet Zhb

Mica - Barrel - Heaters Typ Zhb

Heating of barrels on injection moulding machines and similar applications up to 350°C.

Technical Data

voltage	: 230 V or to customer
wattage	: to 3,5 W/cm ²
temp. max..	: 350°C
min.	: 35 mm
height	: 20 mm - 800 mm
wall thickness	: ca. 4 mm
connection position	: to customer
connection	: power connection with plug socket or terminal box (with or without cable)



options

- with cut-outs and holes
- hole with bridge for thermocouple
- made of two halves or more segments
- power connection with plug socket or terminal box (with or without cable)
- reflector cover



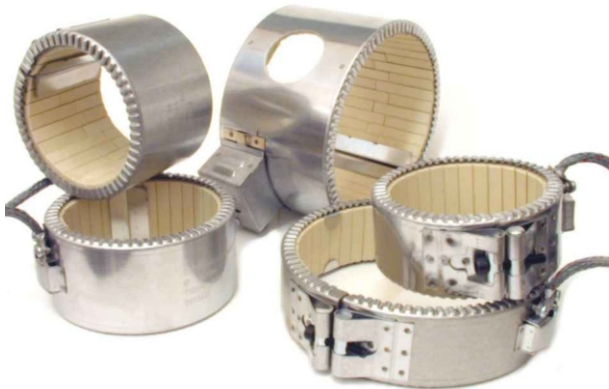
**Other customer preferences are possible
Subject to modifications!**

05/02

Data Sheet Khb

Ceramic - Barrel - Heaters Typ Khb

Heating of barrels on injection moulding machines and similar applications up to 450°C.



Technical Data

voltage	: 230 V or to customer
wattage	: to 7,5 W/cm ²
temp. max..	: 450°C
min.	: 60 mm
height min.	: 21 mm
thickness	: ca. 12 mm
connection position	: to customer
thermal insulation	: 2 mm Isoplainsulation



options

- with drill holes and notches
- hole with bridge for thermocouple
- made of two halves or more segments
- power connection with plug socket or terminal box (with or without cable)
- reflector cover

**Other customer preferences are possible
Subject to modifications!**

05/02

Data Sheet KhbL



Ceramic - Heating - Cooling - Combinations Typ KhbL

Heating and cooling of barrels on injection moulding machines and similar applications up to 450°C.

Technical Data

voltage	: 230 V or to customer
wattage	: to 7,5 W/cm ²
temp. max..	: 450°C
min.	: 60 mm
height min.	: 21 mm
fan	: to customer
connection position	: to customer
connecting bracket	: to customer



options

- with cut-outs and holes
- power connection with plug socket or terminal box (with or without cable)



**Other customer preferences are possible
Subject to modifications!**

05/02